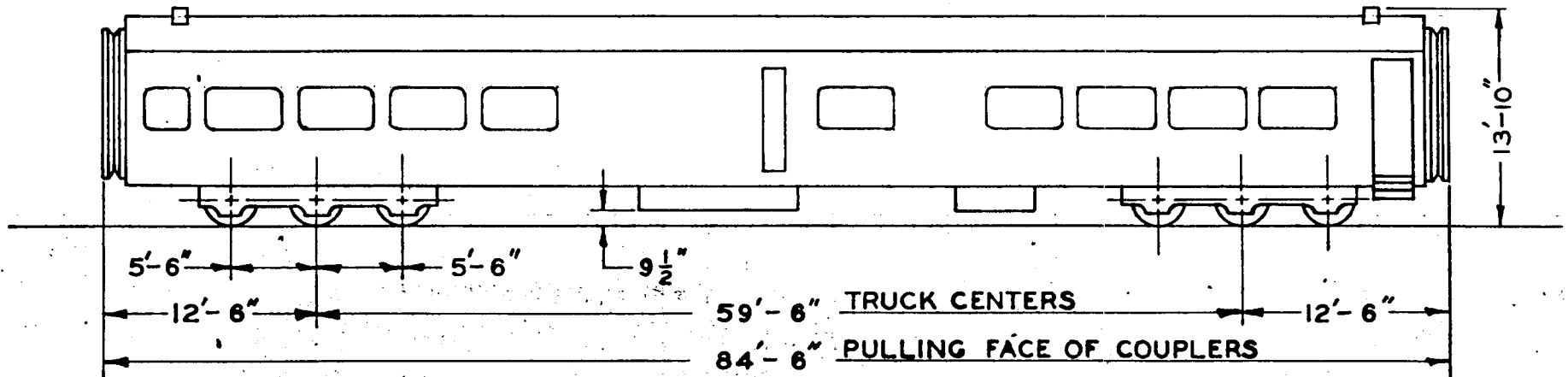
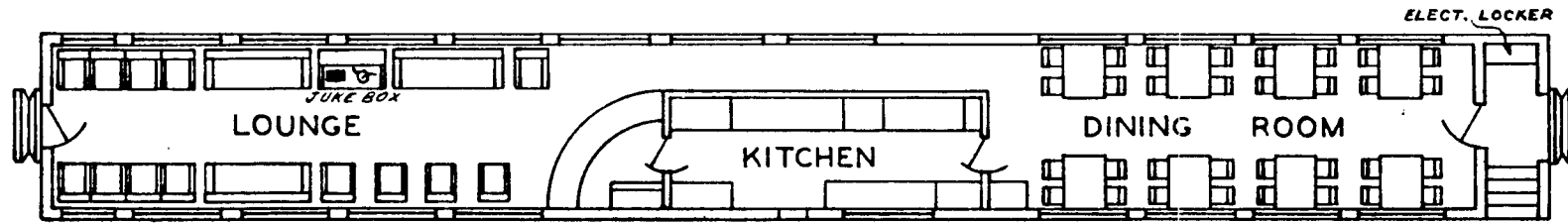


BUFFET BAR LOUNGE CARS 9 & 10



BUILT BY	AMERICAN CAR & FOUNDRY CO.
DATE BUILT	1945
REBUILT	PUGET SOUND BRIDGE & DREDGING CO.
PURCHASED FROM	SURPLUS
PLACED IN SERVICE	OCTOBER, 1948
WHEELS	36
TRUCKS	C.S. PEDESTAL
AXLES	5" X 9"
BEARINGS	TIMKEN R.B.
UNDERFRAME	STEEL
LIGHTWEIGHT-LBS.	150,000#
SEATING CAPACITY	32, DINING 22, LOUNGE
COUPLERS	TYPE E, 6 1/2" X 8" SHANK BM. OR
YOKES	VERTICAL W/ HORIZ. KEY
AIRBRAKES	U-12BD - 18" X 12"
HANDBRAKES	POWER PEACOCK

GENERAL DIMENSIONS:	
TRAIN LENGTH	84'-6"
MAX. HEIGHT	13'-10"
MAX. WIDTH OVER SIDE SILLS	10'-0"
INSIDE LENGTH	78'-5 1/2"
INSIDE WIDTH	9'-6"
FROM RAIL TO TOP OF FLOOR	4'-3 1/2"
LIGHTING	32-VOLT
HEATING	VULCAN FIN TUBE RADIATION
WINDOWS	HUNTER DOUBLE SASH
NOTE: CARS EQUIPPED WITH GE MODEL TC-36-F3, 230 VOLT, 3-PHASE, 60 CYCLE, 36000 BTU PER HOUR AIR CONDITIONING UNIT.	

Revised 1961

AWL.9-56